

# Technical data sheet



## Product features

### Cooling counter pizza 2D

<b>Model</b>	<b>SAP Code</b>	00013340
MTP 2D	<b>A group of articles - web</b>	Cooling and freezing tables



- Material: Stainless steel
- GN / EN size in device: GN 1/1
- Number of GN / EN: 2
- Number of doors: 2
- Control type: Digital
- Minimum device temperature [°C]: 2
- Maximum device temperature [°C]: 8
- Max ambient temperature [°C]: 43
- Insulation thickness [mm]: 60
- Unit: Right
- Automatic defrost: Yes

<b>SAP Code</b>	00013340	<b>Number of GN / EN</b>	2
<b>Net Width [mm]</b>	1510	<b>GN / EN size in device</b>	GN 1/1
<b>Net Depth [mm]</b>	800	<b>GN device depth</b>	150
<b>Net Height [mm]</b>	1000	<b>Minimum device temperature [°C]</b>	2
<b>Net Weight [kg]</b>	143.00	<b>Maximum device temperature [°C]</b>	8
<b>Power electric [kW]</b>	0.208	<b>Refrigerant</b>	R290
<b>Loading</b>	230 V / 1N - 50 Hz	<b>Worktop material</b>	Granite
<b>Energy class</b>	B	<b>Refrigerant weight [g]</b>	108.00
<b>Chamber volume [l]</b>	428	<b>Climate class</b>	4
<b>Number of doors</b>	2		

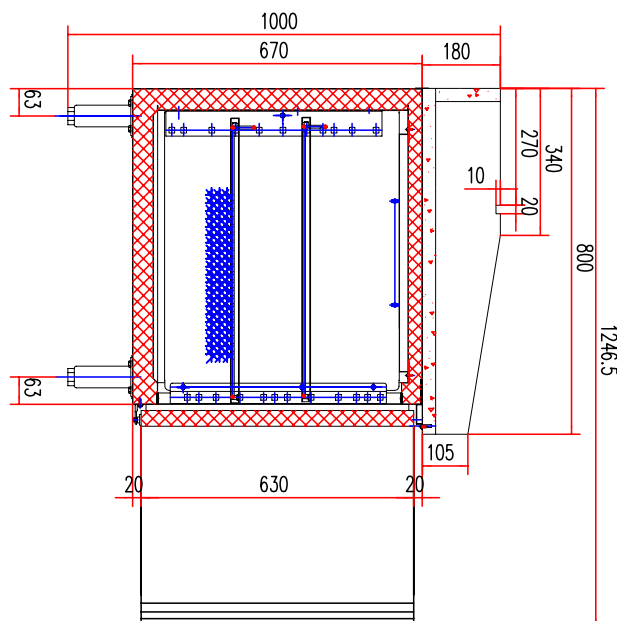
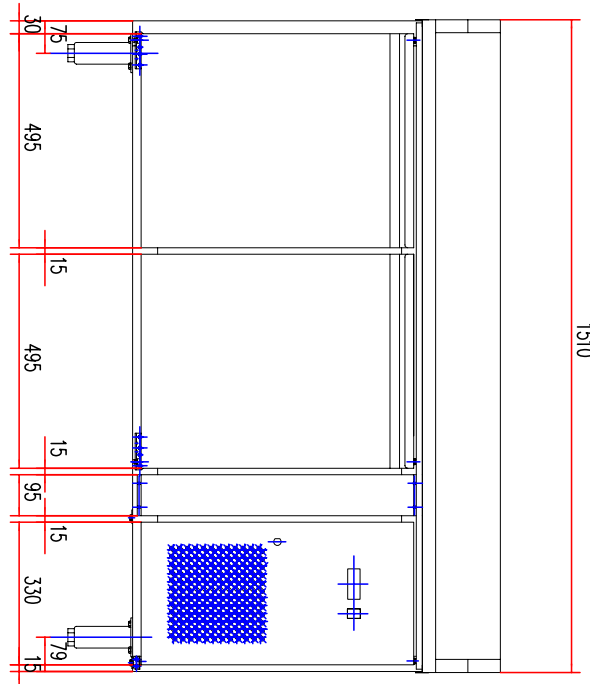
# Technical data sheet



Technical drawing

## Cooling counter pizza 2D

<b>Model</b>	<b>SAP Code</b>	00013340
MTP 2D	<b>A group of articles - web</b>	Cooling and freezing tables



# Technical data sheet



## Technical parameters

### Cooling counter pizza 2D

<b>Model</b>	<b>SAP Code</b>	00013340
MTP 2D	<b>A group of articles - web</b>	Cooling and freezing tables

**1. SAP Code:**

00013340

**2. Net Width [mm]:**

1510

**3. Net Depth [mm]:**

800

**4. Net Height [mm]:**

1000

**5. Net Weight [kg]:**

143.00

**6. Gross Width [mm]:**

1545

**7. Gross depth [mm]:**

840

**8. Gross Height [mm]:**

1050

**9. Gross Weight [kg]:**

153.00

**10. Device type:**

Electric unit

**11. Power electric [kW]:**

0.208

**12. Loading:**

230 V / 1N - 50 Hz

**13. Energy class:**

B

**14. Refrigerant:**

R290

**15. Cooling type:**

Static

**16. Material:**

Stainless steel

**17. Min ambient temperature [°C]:**

10

**18. Max ambient temperature [°C]:**

43

**19. Device properties 2:**

Cooling

**20. GN / EN size in device:**

GN 1/1

**21. Number of GN / EN:**

2

**22. GN device depth:**

150

**23. Chamber volume [l]:**

428

**24. Worktop material:**

Granite

**25. Insulation thickness [mm]:**

60

**26. Number of doors:**

2

**27. Unit:**

Right

**28. Control type:**

Digital

# Technical data sheet



Technical parameters

## Cooling counter pizza 2D

<b>Model</b>	<b>SAP Code</b>	00013340
MTP 2D	<b>A group of articles - web</b>	Cooling and freezing tables

**29. Minimum device temperature [°C]:**

2

**30. Maximum device temperature [°C]:**

8

**31. Automatic defrost:**

Yes

**32. Refrigerant weight [g]:**

108.00

**33. Number of grids:**

2

**34. Gross Volume [m3]:**

1.363

**35. Net Volume [m3]:**

1.208

**36. Climate class:**

4

**37. Cross-section of conductors CU [mm<sup>2</sup>]:**

0,5